

# Molded Case Circuit Breakers

## CQD 100A Frame

### Selection/Dimensions

#### Type CQD (Cable In - Cable Out) DIN Rail Mount<sup>④</sup>

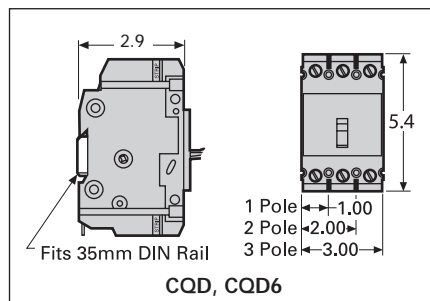
Continuous Current Rating @ 40°C	1-Pole		2-Pole		3-Pole	
	277V AC		480Y/277V AC 125/250V DC		480Y/277V AC	
	Catalog Number	List Price \$	Catalog Number	List Price \$	Catalog Number	List Price \$
15	CQD115 <sup>②③</sup>		CQD215 <sup>②</sup>		CQD315 <sup>②</sup>	
20	CQD120 <sup>②③</sup>		CQD220 <sup>②</sup>		CQD320 <sup>②</sup>	
25	CQD125 <sup>②③</sup>		CQD225 <sup>②</sup>		CQD325 <sup>②</sup>	
30	CQD130 <sup>②</sup>		CQD230 <sup>②</sup>		CQD330 <sup>②</sup>	
35	CQD135 <sup>③</sup>		CQD235 <sup>③</sup>		CQD335 <sup>③</sup>	
40	CQD140 <sup>③</sup>		CQD240 <sup>③</sup>		CQD340 <sup>③</sup>	
45	CQD145 <sup>③</sup>		CQD245 <sup>③</sup>		CQD345 <sup>③</sup>	
50	CQD150 <sup>③</sup>		CQD250 <sup>③</sup>		CQD350 <sup>③</sup>	
60	CQD160 <sup>■</sup>		CQD260		CQD360	
70	CQD170 <sup>■</sup>		CQD270		CQD370	
80	CQD180 <sup>■</sup>		CQD280		CQD380	
90	CQD190 <sup>■</sup>		CQD290 <sup>■</sup>		CQD390	
100	CQD1100 <sup>■</sup>		CQD2100		CQD3100	

#### Shipping Weights

Number of Poles	Number per Carton	Shipping Weight lbs. (kg)
1	1	0.5 (0)
2	1	1.0 (0)
3	1	1.5 (1)

#### Lugs For 60/75°C Wire

Amps	Wire Size
15-40	#14-#6 AWG Cu #12-#6 AWG Al
45-100	#8-#1 AWG Cu #6-#1/0 AWG Al



#### Type CQD6 (Cable In - Cable Out) CSA Certified, not UL

Continuous Current Rating @ 40°C	1-Pole		2-Pole		3-Pole	
	347V AC 125V DC		600Y/347V AC 125/250V DC		600Y/347V AC	
	Catalog Number	List Price \$	Catalog Number	List Price \$	Catalog Number	List Price \$
15	—		CQD6215 <sup>■</sup>		CQD6315 <sup>■</sup>	
20	CQD6120 <sup>②</sup>		CQD6220 <sup>■</sup>		CQD6320 <sup>■</sup>	
25	CQD6125 <sup>②</sup>		CQD6225 <sup>■</sup>		CQD6325 <sup>■</sup>	
30	CQD6130 <sup>②</sup>		CQD6230 <sup>■</sup>		CQD6330 <sup>■</sup>	
35	CQD6135 <sup>■</sup>		CQD6235 <sup>■</sup>		CQD6335 <sup>■</sup>	
40	CQD6140 <sup>■</sup>		CQD6240 <sup>■</sup>		CQD6340 <sup>■</sup>	
45	CQD6145 <sup>■</sup>		CQD6245 <sup>■</sup>		CQD6345 <sup>■</sup>	
50	CQD6150 <sup>■</sup>		CQD6250 <sup>■</sup>		CQD6350 <sup>■</sup>	
60	CQD6160 <sup>■</sup>		CQD6260 <sup>■</sup>		CQD6360 <sup>■</sup>	
70	CQD6170 <sup>■</sup>		CQD6270 <sup>■</sup>		—	

#### Interrupting Ratings

Breaker Type	Number of Poles	RMS Symmetrical Amperes (KA)						
		Volts AC (50/60 Hz)					Volts DC	
		120	240	277	480/277	600/347	125	125/250
CQD (UL)	1	65	—	14	—	—	14	—
	2	—	65	—	14	—	—	14
	3	—	65	—	14	—	—	—
CQD6 (CSA)	1	65	—	14	—	10	14	—
	2	—	65	—	—	10	—	14
	3	—	65	—	—	10	—	—

For inches / millimeters conversion, see Application Data section.

■ Built to order. Allow 2-3 weeks for delivery.

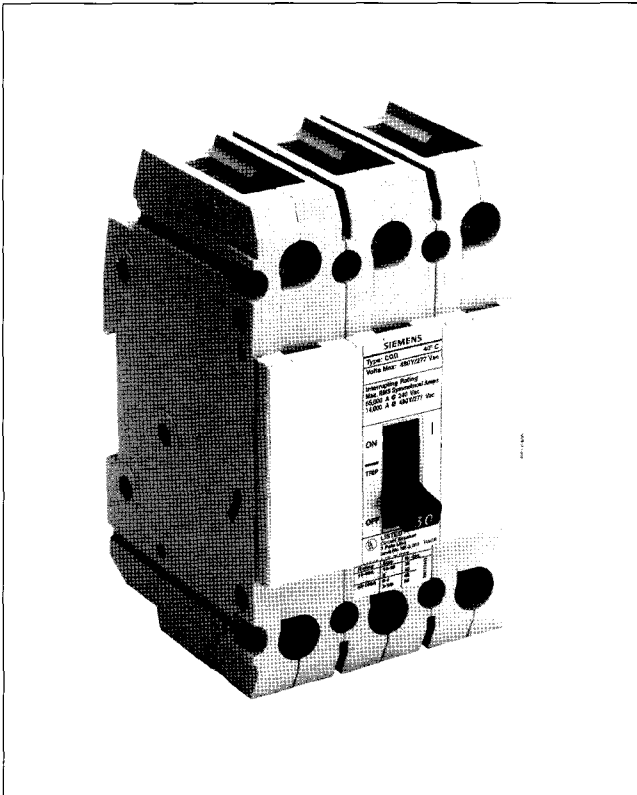
② SWD rated.

③ HID rated.

④ HACR rated.

Accessories pages 17/17 and 17/71 to 17/77

# Ordering Information



## CQD Catalog Numbers

Maximum Continuous Current Rating @ 40C	1 Pole 120V AC 125V DC Catalog Number	2 Pole 480Y/277V AC 125/250V DC Catalog Number	3 Pole 480Y/277V AC Catalog Number
15	CQD115	CQD215	CQD315
20	CQD120	CQD220	CQD320
25	CQD125	CQD225	CQD325
30	CQD130	CQD230	CQD330
35	CQD135	CQD235	CQD335
40	CQD140	CQD240	CQD340
45	CQD145	CQD245	CQD345
50	CQD150	CQD250	CQD350
60	CQD160	CQD260	CQD360
70	CQD170	CQD270	CQD370
80	CQD180	CQD280	CQD380
90	CQD190	CQD290	CQD390
100	CQD1100	CQD2100	CQD3100

# UL Interrupting Ratings

Breaker Type BQD/CQD

Number of Poles	RMS Symmetrical (kA) UL Air				Interrupting Amperes (kA) DC Voltage	
	AC Voltage				125	125/250
	120	240	277	480Y/277		
1	65	—	14	—	14	—
2	—	65	—	14	—	14
3	—	65	—	14	—	—

# SIEMENS

## Molded Case Circuit Breakers

### BQD/CQD Type Circuit Breakers Product Bulletin



- UL Listed
- Compact Size
- Single Handle
- Glass Polyester Housing
- Common Trip
- Quick-make  
Quick-break  
Trip free Mechanism
- 1, 2 or 3 Pole Units
- UL Listed Field  
Addable Accessories