

CIRCUIT BREAKERS

CB 4

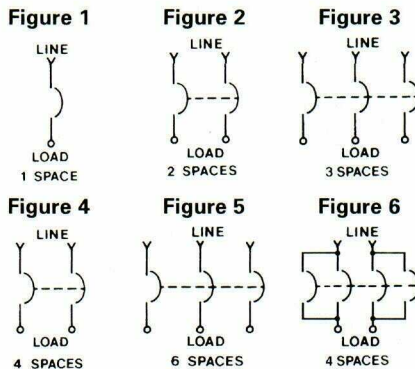
PLUG-IN TYPE FULL SIZE 10,000 AIC

CIRCUIT BREAKERS



Wire range is lug capacity. MP breakers are UL Listed for use with 60°C or 75°C wire, through 125 amps. Consult 1996 NEC Article #310 for specific wire sizes.

Accessories—See page CB-12.



Full Size (1" Per Pole) 120/240V AC and 240V AC^{①②}

Amps	Symb.	Catalog #	List Each	Std. Sleeve/ Carton	Approx. Wgt. Lbs. Sleeve/ Carton	Wire Range		
						Cu	Al	
1 POLE 120/240V AC (TYPE MP-T)								
15	Fig-1	MP115 [®]	20.65	12/48	4/15	#14-#8	#12-#8	
20		MP120 [®]	20.65	12/48	4/15			
25		MP125	20.65	12/48	4/15			
30		MP130	20.65	12/48	4/15	#14-#6	#12-#6	
40		MP140	20.65	12/48	4/15	#8-#6	#8-#4	
50		MP150	20.65	12/48	4/15			
2 POLE 120/240V AC COMMON TRIP (TYPE MP-T)								
15	Fig-2	MP215	45.50	6/24	4/15	#14-#8	#12-#8	
20		MP220	45.50	6/24	4/15			
25		MP225	45.50	6/24	4/15			
30		MP230	45.50	6/24	4/15	#14-#6	#12-#6	
35		MP235	45.50	6/24	4/15			
40		MP240	45.50	6/24	4/15	#8-#6	#8-#4	
45		MP245	45.50	6/24	4/15			
50		MP250	45.50	6/24	4/15			
60		MP260	45.50	6/24	4/15	#8-#4	#8-#2	
60		MP260NA ^②	45.50	6/24	4/15			
70		MP270	93.00	6/24	4/15	#8-#4	#8-#2	
80		MP280	130.00	6/24	5/19	#4-#1/0	#2-#1/0	
90		MP290	130.00	6/24	5/19			
100		MP2100	130.00	6/24	6/25			
110		MP2110	254.00	6/24	6/25	#2-#1/0	#1/0-#2/0	
125		MP2125	254.00	6/24	6/25			
2 POLE 120/240V AC COMMON TRIP (TYPE MD-T) (NEW PRODUCT)								
150	Fig-4	MPD2150 [®]	276.00	1	3.00	#4-300 kcmil Cu/Al		
150		MPD2150R ^{®③}	276.00	1	3.00			
175		MPD2175 [®]	276.00	1	3.00			
175		MPD2175R ^{®③}	276.00	1	3.00			
200		MPD2200 [®]	276.00	1	3.00			
200		MPD2200R ^{®③}	276.00	1	3.00			
2 POLE 120/240V AC COMMON TRIP (TYPE MPP-T)^④								
125	Fig-6	MPP2125	254.00	2/8	4/16	#4-300 kcmil Cu/Al		
150		MPP2150	281.00	2/8	4/16			
175		MPP2175	281.00	2/8	4/16			
200		MPP2200	281.00	2/8	4/16			
2 POLE 240V AC COMMON TRIP[®] (TYPE MP-T)								
20	Fig-2	MPH220	128.00	6/24	4/15	#14-#8	#12-#8	
30		MPH230	128.00	6/24	4/15	#14-#6	#12-#6	
60		MPH260	128.00	6/24	4/15	#8-#4	#8-#2	
70		MPH270	149.00	6/24	4/15	#8-#4	#8-#2	
3 POLE 240V AC COMMON TRIP (TYPE MP-T)								
15	Fig-3	MP315	161.00	4/24	5/20	#14-#8	#12-#8	
20		MP320	161.00	4/24	5/20			
30		MP330	161.00	4/24	5/20	#14-#6	#12-#6	
40		MP340	161.00	4/24	5/20	#8-#6	#8-#4	
50		MP350	161.00	4/24	5/20			
60		MP360	161.00	4/24	5/20	#8-#4	#8-#2	
70		MP370	201.00	4/24	5/20			
80		MP380	231.00	4/24	5/20	#4-#1/0	#2-#1/0	
90		MP390	231.00	4/24	5/20			
100		MP3100	231.00	4/24	5/20			
3 POLE 240V AC COMMON TRIP (TYPE ED-A)								
125	Fig-5	EP3125 ^④	806.00	1	3.50	#6-#1/0 Cu/Al		
150		EP3150 ^④	806.00	1	3.50	#2-#300 kcmil Cu/Al		
175		EP3175 ^④	806.00	1	3.50			
200		EP3200 ^④	806.00	1	3.50			
225		EP3225 ^④	806.00	1	3.50			

① UL Listed for use with 60/75°C wire, through 125 Amps.
 ② All breakers on this page, through 100 Amp, are UL Listed "HACR" for use on heating, air-conditioning, and refrigeration multi-motor applications per 1996 NEC Article #430-53.

③ Requires 4 panel spaces; 2 Adj. & 2 Opp.
 ④ Requires 6 panel spaces; 3 Adj. & 3 Opp.
 ⑤ Reverse handle operation for use as load center main and as branch breakers. "ON" Position toward lugs.
 ⑥ UL Listed as SWD for switching fluorescent lights per 1996 NEC Article #240-83d.

⑦ Molded case non-automatic switch. DOES NOT provide overload protection.
 ⑧ UL Listed for use on 3 phase grounded 'B' systems. 5000 amps interrupting rating for this application.
 ⑨ 4 poles wide. For use in modular and all-in-one group metering.

Time-Current Characteristic Curves

125 Amp MP Frame, Type MP-T, 1, 2 & 3 Poles

For application and coordination purposes only. Based on 40°C ambient cold start. Connected with 4 feet of rated wire (75°C) per terminal. Tested in open air with current in all poles.

Type MP-T	60 HZ 1-Pole	120/240 Volts
	60 HZ 2-Pole	120/240 Volts
	60 HZ 3-Pole	240 Volts

1 Pole Instantaneous Trip Table

Rating Amperes	Fixed Instantaneous Trip Amperes
15-20	160-210
25-40	350-550
45-50	450-700

2 & 3 Pole Instantaneous Trip Table

Rating Amperes	Fixed Instantaneous Trip Amperes
15, 25-35	350-700
20	450-700
40	350-550

Interrupting Rating Symmetrical RMS Amperes

Breaker Type	120V	120/240V	240V
1-Pole	—	10,000	—
2-Pole	—	10,000	—
3-Pole	—	—	10,000

Footnotes refer to curve at right.

① Single pole test data at 25°C in accordance with NEMA standards.

0-30 amperes—50 seconds

31-50 amperes—80 seconds

② Sample Instantaneous shown (20 Amp 1, 2 & 3 Pole). For other instantaneous values, see tables above.

Industry and Government Specifications

Murray circuit breakers meet or exceed the latest edition of the following specifications:

Industry

NEMA—Standard #AB1

UL —Standard #489

CSA —Standard #C22.1, No. 5.1

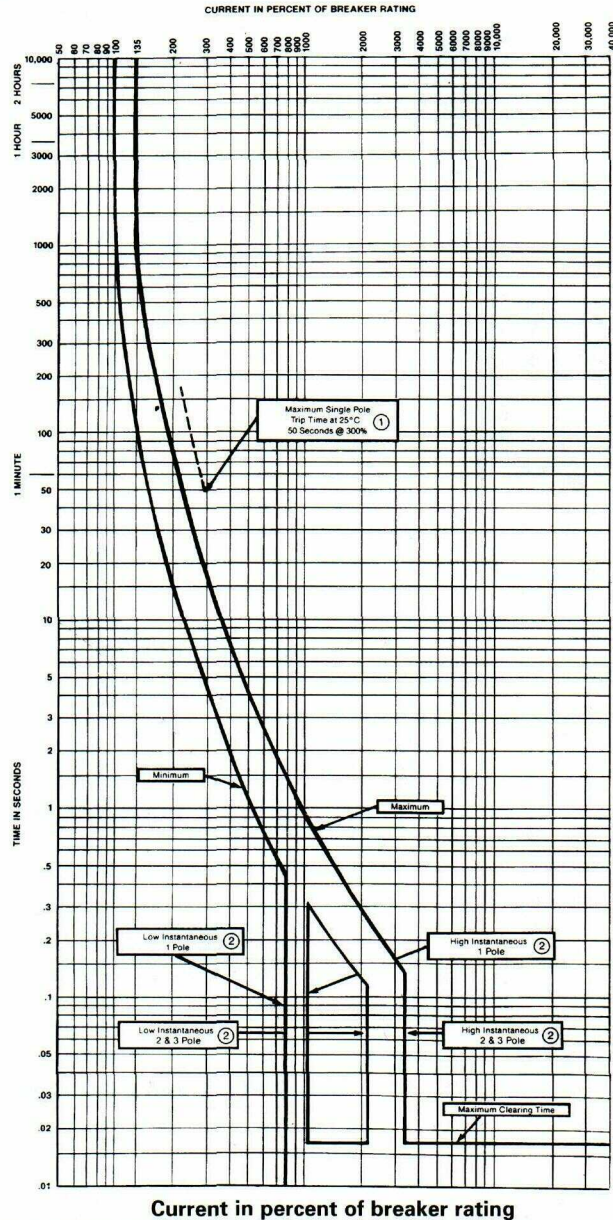
U.S. Government

Standard #W-C-375B

60°C/75°C Ampacity Rating

Murray circuit breakers rated 125A and below are Listed by UL for use with 60°/75°C ampacities. This listing allows use of smaller wire sizes in many applications. Consult NEC Article #310 for application details and limitations.

Murray Time-Current Characteristic Curves
125 AMP MP Frame, Type MP-T 1, 2 & 3 Poles



Circuit Breaker UL Type

Catalog # Prefix	UL Type*
MP(150-200A)	MD-A, MD-H, MD-T, MD-HT
MP(15-125A)	MP-T, MP-HT, MP-MT, MG, MW
MP(Duplex)	MH-T
MP(Triplex)	MH-T
MP(GFCI)	MP-GT, MP-HGT
MP(AFCI)	MP-AF, MP-HAF

*UL Type is shown on circuit breaker label.

SWD

Full size, single pole 15&20 amp, UL Type MP-T circuit breakers are UL Listed "SWD", for switching duty use on circuits controlling fluorescent lights. (1996 NEC article #240-83d).

HACR

All Murray circuit breakers are UL Listed "HACR" rated for use on heating, air conditioning and refrigeration circuits per 1996 NEC article #430-53 (c) (3).